

T-Stat Lead/Lag Controller Installation

Installing the mounting plate

- Plan the Location** –The T-Stat should be mounted away from external sources of heat or cold (doors, HVAC supply grill, exhaust from equipment, radio heads, etc.) and provide a good representation of the shelter’s temperature.
- Prepare the Area** - The mounting screw holes will line up on a standard duplex outlet box or can be flush mounted to the wall. When flush mounting, ensure clearance for the wires to exit through the center window on the back plate. Install outlet box or screw anchors and run thermostat wires.
- Remove the cover** - The cover of the T-Stat is held on by four clips, two on the top and two on the bottom. Remove the cover carefully, the cover may be snug and depressing the clips through the slot openings may help in getting the cover off.
- Mount the Plate** - Dress the wires through the center window on the back plate and install mounting screws. Tighten screws to ensure the plate is mounted securely, but do not over tighten and warp the back plate.

Wiring

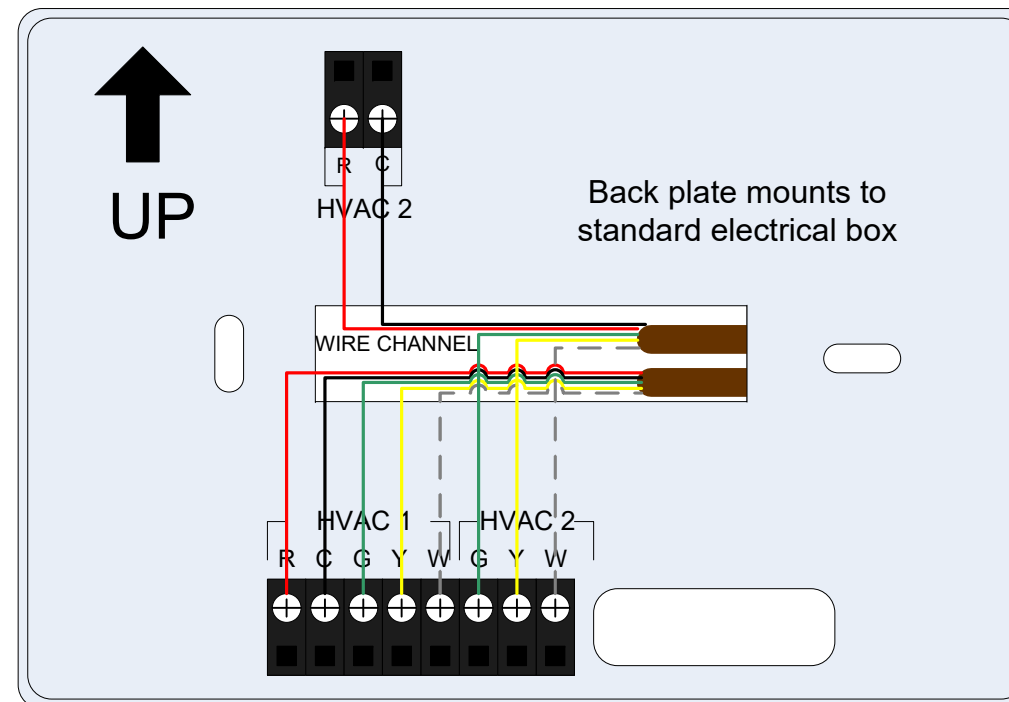
- Terminate the Wire Connections** – Cut off excess wire, dress wire flush to the back panel and strip 1/4" of insulation to expose conductor. Insert and tighten using the Wire Terminations diagram. Label all point to point connections at both ends of the cable.
- Connection Descriptions:**

Terminal	Description – wire color
HVAC 1 - R	24VAC power - red
HVAC 1 - C	24VAC common - black
HVAC 1 - G	Fan Control – green
HVAC 1 - Y	Call for Cool - yellow
HVAC 1 - W	Call for Heat - white
HVAC 2 - R	24VAC power - red
HVAC 2 - C	24VAC common - black
HVAC 2 - G	Fan Control – green
HVAC 2 - Y	Call for Cool - yellow
HVAC 2 - W	Call for Heat - white

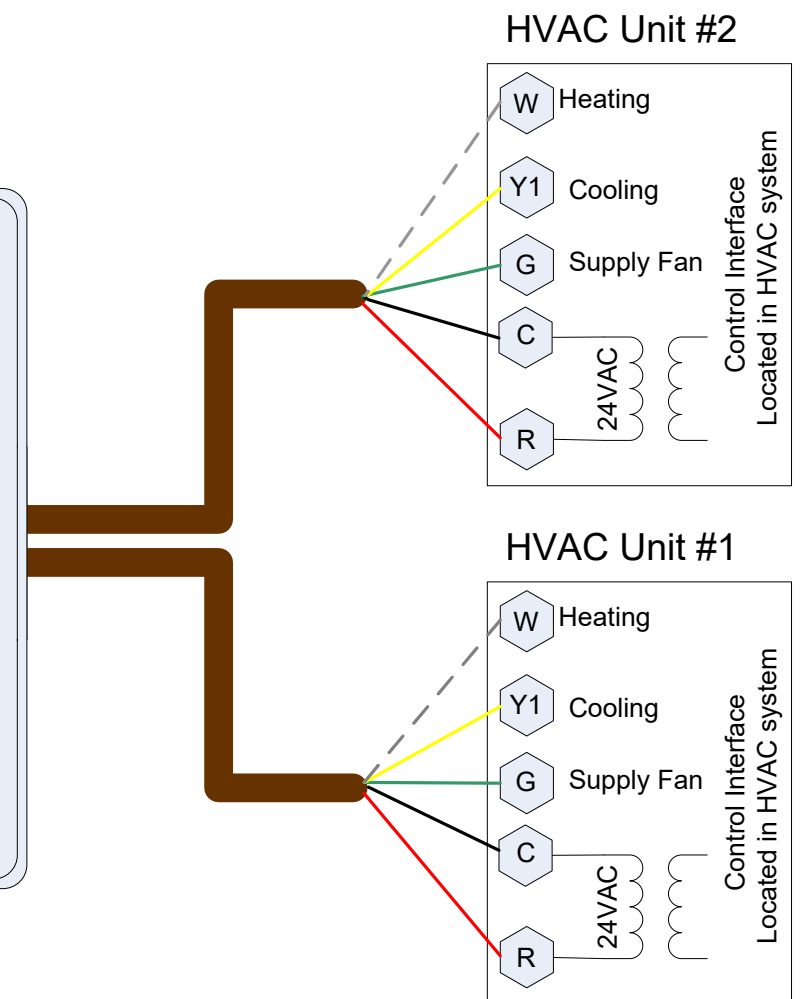
Verify Operation

Install the Cover – after completing the wiring, reinstall the cover to the system. Make sure the connector pins line up with the terminals and press the cover firmly into place. The system will start up and begin controlling HVAC 1 as the lead unit. Note: The T-stat LLC receives power from either HVAC unit. Make sure power is restored to both HVAC units.

Test Operation – Verify that HVAC 1 cooling turns on when the temperature reading is above 80 degrees F. Note there can be up to a 30 second delay. Switch the lead to HVAC 2 and verify the second HVAC unit is cooling.



T-Stat LLC Backplate



REV.	DESCRIPTION	DATE	BY
A	INITIAL DESIGN	03/30/18	KN

THIS DOCUMENT CONTAINS CONFIDENTIAL AND/OR TRADE SECRET INFORMATION WHICH IS THE PROPERTY OF QUEST CONTROLS INC. (QUEST). IT EMBODIES A PROPRIETARY DESIGN WHICH SHALL NOT BE DISCLOSED, SOLD, LOANED, DUPLICATED OR USED FOR PROCUREMENT, MANUFACTURING OR ANY PURPOSE OTHER THAN THAT FOR WHICH THIS DOCUMENT WAS SUPPLIED, WITHOUT PRIOR WRITTEN AUTHORIZATION BY QUEST.

APPROVALS	NAME	DATE
DRAWN BY	KN	03/30/18
CHECKED BY		



TITLE
T-Stat LLC TYPICAL INSTALLATION

PROJ NAME	T-Stat LLC
DWG. NO.	
REVISION	REV A
SHEET	1 OF 1