

Outdoor Temperature Sensor (Thermistor)

Part Number: 150747-C
AT&T Item Number: BLD.10580

Description

This temperature sensor is a thermistor type sensor. This sensor provides a predictable output over a specified temperature range to meet each manufacturer's required input values.



Specifications

Part Number: 150747-C

Sensor Output: 10K Ohms @ 77°F (25°C) Type III 10K Ohms @ 77°F (25°C) Type II 3K Ohms @ 77°F (25°C) 1.8K Ohms @ 77°F (25°C) 20K Ohms @ 77°F (25°C)

Accuracy (0 to 70°C): $\pm 0.2^{\circ}\text{C}$ ($\pm 0.36^{\circ}\text{F}$)

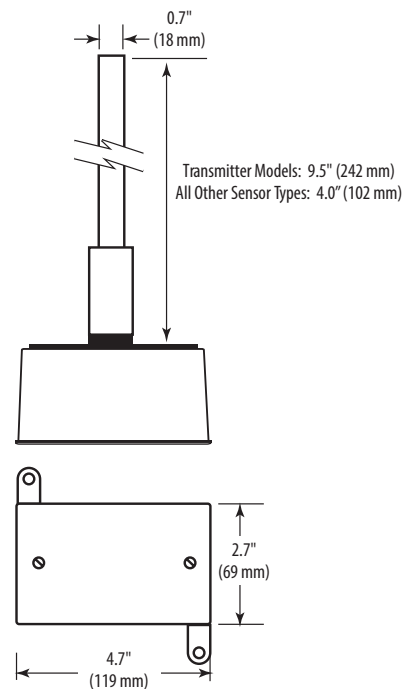
Stability: $\pm 0.13^{\circ}\text{C}$ (0.23°F)

Operating Temperature Range: -40 to 302°F (-40 to 150°C)

Operating Humidity: 0 to 90% RH non-condensing

Interchangeability: $\pm 0.2^{\circ}\text{C}$ ($\pm 0.36^{\circ}\text{F}$)

Power Dissipation Constant: 3 mW / °C



www.questcontrols.com

Tel: (941) 729-4799, Fax: (941) 729-5480
208 9th Street Drive West • Palmetto, Florida 34221

