



Description

The Quest TELSEC® Fan Control Module (FCM²) is designed to work as a standalone integrated controller for monitoring and controlling the environment inside a Telecommunications cabinet. The TELSEC® FCM² controls two fans to maintain the inside temperature of the cabinet. The internal and external fans of the heat exchanger(s) are controlled separately for speed to allow the heat exchanger to work at optimum performance. The TELSEC® FCM² is custom configurable for set points and operating modes to meet the design requirements of the cabinet.

The TELSEC® FCM² provides power distribution to the fans through GMT style fuses and monitors fan faults. Alarm outputs are available for high temp and fan failure to provide contact closures to your alarm monitoring system. Status LEDs indicate the type of fault to simplify trouble shooting. The TELSEC® FCM² incorporates fail-safe logic to turn the fans on full speed if a fault occurs or if the temperature sensors are disconnected.

The TELSEC® FCM² can be combined with the TELSEC® 800, 1500 or 2000 system to provide a complete monitoring and control solution for your cabinet.

Specifications

Part Number: 150755

Connectors: Two-piece pluggable connectors for fans and control wiring

Alarm Status: LEDs for Power, Fuse Fail and 1 for each fan fail plus diagnostic LED
to verify proper operation

Alarm Notification: 1 output for fuse fail, tach alarm, or controller fault and 1 output for high temp.
Contact rated for 48VDC @ 100 mA

Input: Thermistor temperature sensor (p/n 340287) for control of fans, plus one contact closure to turn fans on 100%
Option for additional cabinet temperature sensor

Fans Supported: Comair Rotron Diplomat DD5236, EBM/Papst R1G133AA and AVC BN13391B48S-003
Additional fans to be qualified

Fan Status Feedback: Supports fan fail alarm contact from each fan or monitors TACH signal from fan

Programming: Factory configured based upon customers requirements for temperature control,
fan type and alarm thresholds

Power: 48VDC @ 1.1 amp normal operation 4.1 amp max

Fusing: Each fan fused at 2.0 amps

Ambient Operating Range: -40 to 180°F (-40 to 82°C)

Storage Temperature: -40 to 185°F (-40 to 85°C)

Size: 2.75" W x 6" L x 1.3125" H (70mm W x 152mm L x 33mm H)

Weight: 0.5 lb (227g)

Specifications subject to change without notice

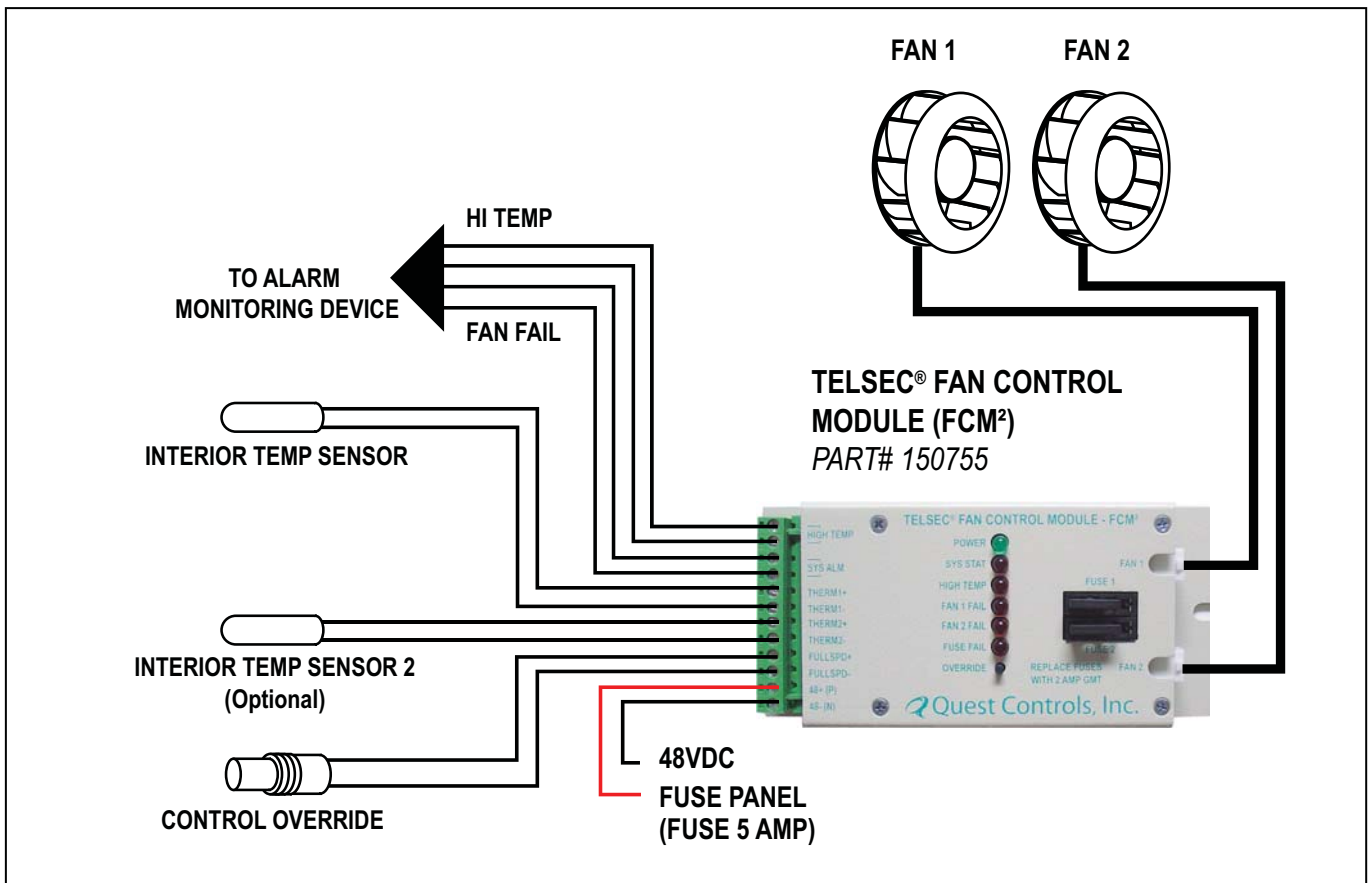
Quest Controls, Inc.

Monitoring, Control & Test Solutions for Telecom

208 9th Street Drive W. Palmetto, FL 34221

Tel: (941) 729-4799 Fax: (941) 729-5480

www.questcontrols.com



Specifications subject to change without notice

Quest Controls, Inc.

Monitoring, Control & Test Solutions for Telecom

208 9th Street Drive W. Palmetto, FL 34221
 Tel: (941) 729-4799 Fax: (941) 729-5480
www.questcontrols.com